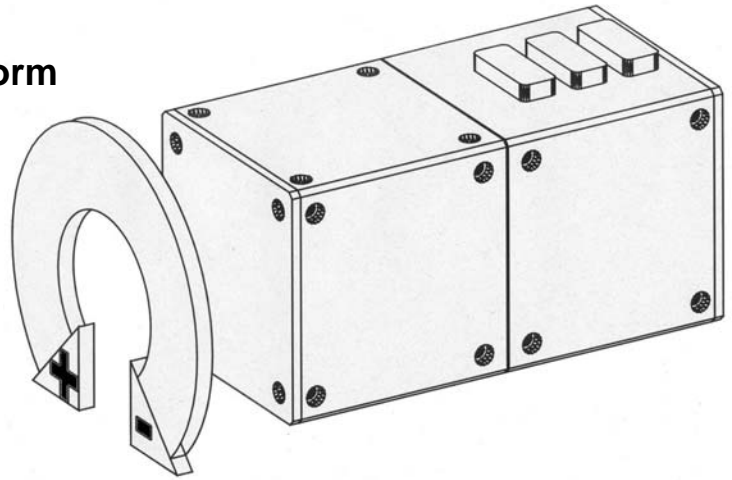


POWER CUBE

PowerCube Purchase Approval form For PowerCube Rotary (PR) components

PowerCube Bestellformular Für PowerCube Drehantriebsmodule



PO# / Auftragsnummer: Date / Datum:
 Amount / Anzahl: Signature / Unterschrift:

Type / Typ:		<input type="checkbox"/> PR 070 <input type="checkbox"/> PR 090 <input type="checkbox"/> PR 110		Module Address (ID 1..31):	
Comm-Interface:		CAN [kbit/s] <input type="checkbox"/> 75 <input checked="" type="checkbox"/> 250* <input type="checkbox"/> 500 <input type="checkbox"/> 1000		RS232 [bit/s] <input type="checkbox"/> 1200 <input type="checkbox"/> 19200 <input type="checkbox"/> 2400 <input type="checkbox"/> 38400 <input type="checkbox"/> 4800 <input type="checkbox"/> 57600 <input checked="" type="checkbox"/> 9600* <input type="checkbox"/> 115200	
I/O Interface:		<input type="checkbox"/> Type I (DIO = 4 I/O)*		<input type="checkbox"/> Type II (ESO = Encoder Output)	
Internal 24 V supply for I/O Interface Interne 24 V Versorgung des I/O Interface:		<input type="checkbox"/> no*		<input type="checkbox"/> yes	
Magnetic Brake / Magnetbremse:		<input type="checkbox"/> no*		<input type="checkbox"/> yes	
Gear Head / Getriebe:		<input checked="" type="checkbox"/> 160:1*		<input type="checkbox"/> 100:1	
Operating range / Verfahrbereich:		<input type="checkbox"/> standard* ($\pm 160^\circ$)		<input type="checkbox"/> °	

* Default setting / Voreinstellung

Please send this form to / Bitte senden Sie das Formular an: amtec robotics GmbH, Pankstrasse 8-10, D-13127 Berlin,
 Fax +49+30 - 474 868 39, Tel ++49+30 - 474 868 30, info@amtec-robotics.com, www.powercube.de